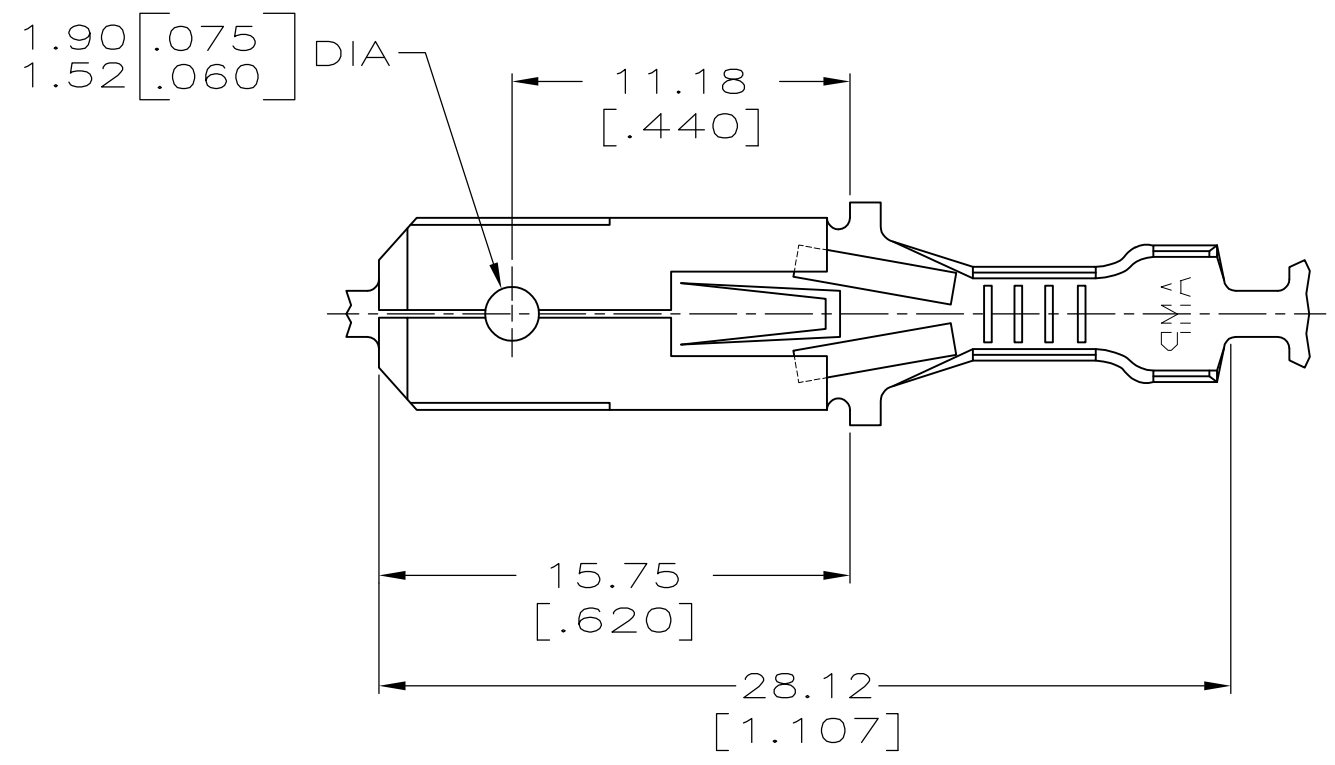
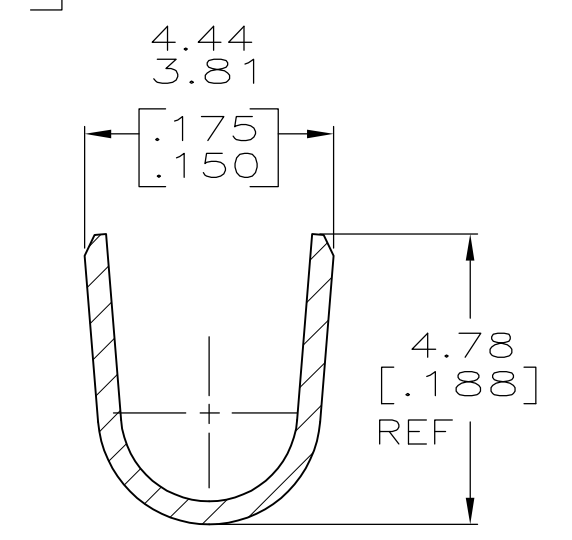
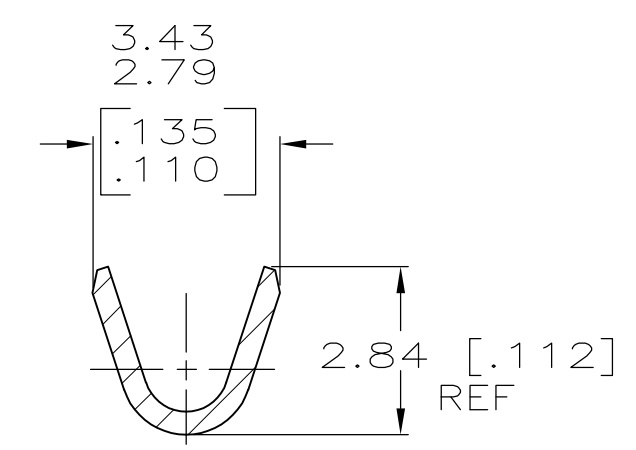
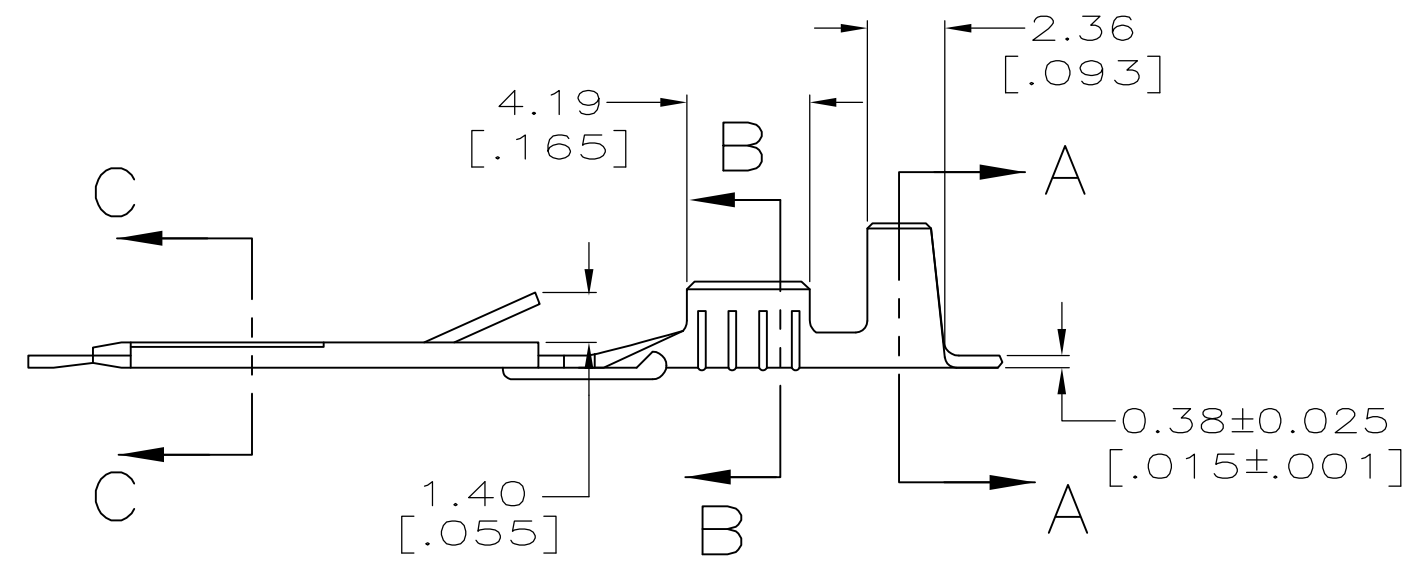
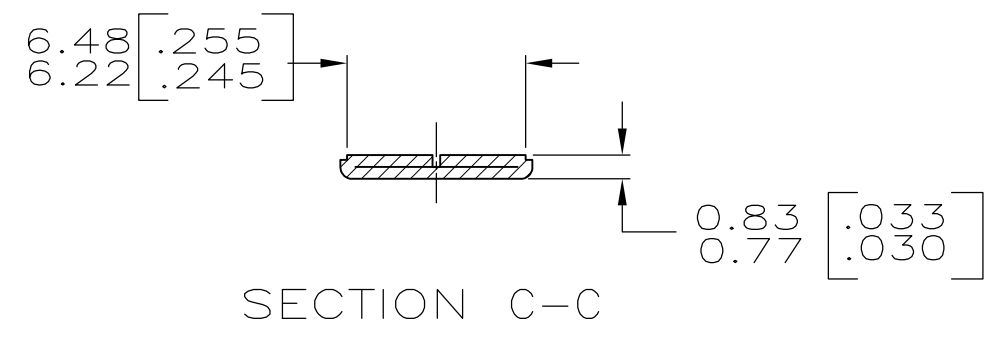


THIS DRAWING IS UNPUBLISHED. RELEASED FOR PUBLICATION  
 © COPYRIGHT - By - ALL RIGHTS RESERVED.

LOC	DIST	REVISIONS			
P	LTR	DESCRIPTION	DATE	DWN	APVD
AF	50	N	REVISED PER ECR-13-005733	28AUG2013	KH PD



- CONTINUOUS STRIP ON REELS.
- WIRE SIZE [#22-#18] AWG.
- INSULATION RANGE IS 2.16-3.18 [.085-.125] DIA.



PRE-TIN	62553-4
TIN	62553-3
-	62553-1
FINISH	PART NO.

THIS DRAWING IS A CONTROLLED DOCUMENT.		DWN	JR RUTH	3/27/97	TE Connectivity NAME TAB, FASTIN-FASTON, 6.35 [.250] SERIES					
DIMENSIONS: mm [INCHES]		CHK	MS FEHER	3/27/97				APVD		
TOLERANCES UNLESS OTHERWISE SPECIFIED:		APVD	J GILLESPIE	3/27/97				PRODUCT SPEC		
0 PLC ± - 1 PLC ± - 2 PLC ± 0.38 [.015] 3 PLC ± - 4 PLC ± - ANGLES ± -		APPLICATION SPEC		114-2025						
MATERIAL BRASS		FINISH SEE TABLE		WEIGHT -		SIZE	CAGE CODE	DRAWING NO	RESTRICTED TO	
CUSTOMER DRAWING				A3		00779	C-62553		-	
				SCALE		4:1	SHEET		1 OF 1	
								REV		
								N		